

# BÖHRINGER®

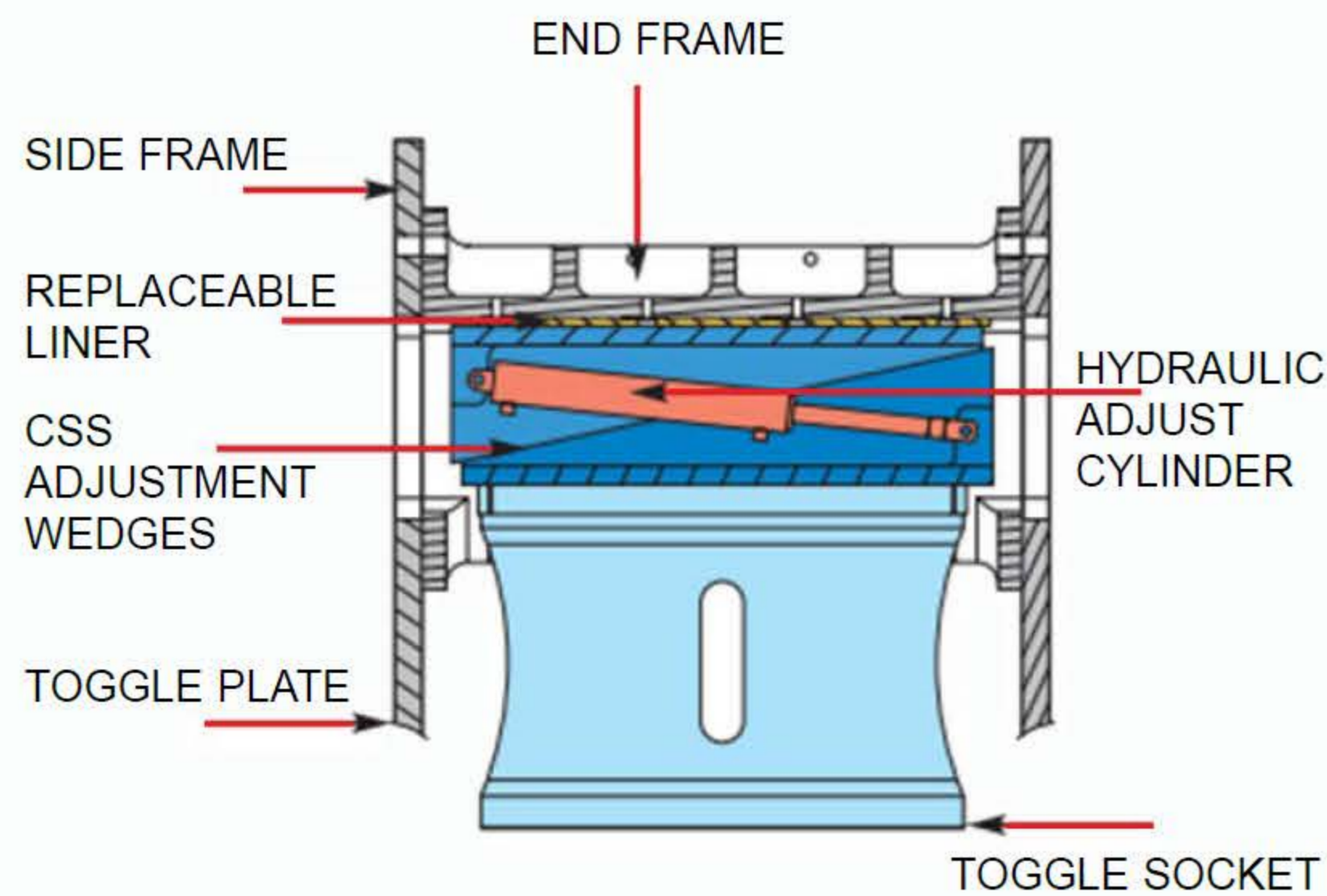
## Jaw Crusher Range

- **Heavy duty**
- **Aggressive action**
- **Ideal for portable plants**
- **Hydraulic adjust**
- **Deep chamber**



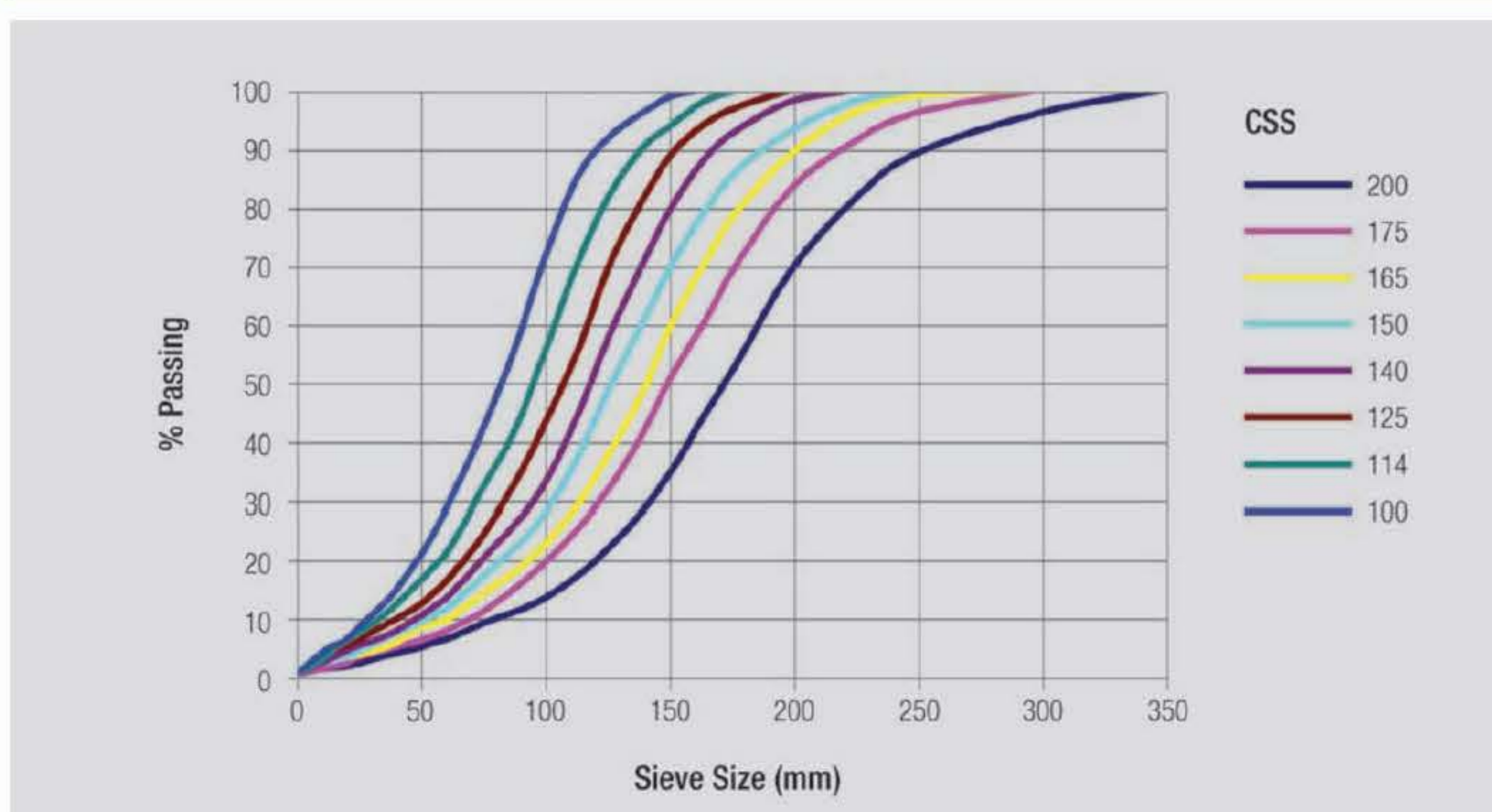
## Böhringer Jaw Crusher General Specifications

Type	Closed Side Setting	Production Rate	Inlet Measurement	Shaft Speed	Power Requirement	Weight
	mm	m <sup>3</sup> /h	mm	U/min	KW	KG
<b>BBS 850 x 550</b>	40 - 120	40 - 120	850 X 550	300	55 - 75	10
<b>BBS 1050 x 800</b>	100 - 200	120 - 180	1050 X 800	265	75 - 90	23
<b>BBS 1250 x 1000</b>	100 - 250	170 - 300	1250 X 1000	220	132 - 160	36
<b>BBS 1400 x 1150</b>	130 - 280	230 - 440	1390 X 1150	190	160 - 200	54
<b>BBS 1650 x 1250</b>	150 - 300	270 - 530	1650 x 1250	175	200 - 250	68
<b>BBS 1850 x 1400</b>	200 - 350	365 - 420	1850 x 1400	160	250 - 315	92
<b>BBS 2150 x 1600</b>	250 - 400	480 - 750	2150 x 1600	135	355 - 400	137
<b>BBR 850 x 550</b>	40 - 120	30 - 60	850 X 550	300	30- 45	8,5
<b>BBR 1050 x 700</b>	40 - 160	50 - 180	1050 x 700	265	45 - 75	18
<b>BBR 1250 x 900</b>	40 - 210	70 - 235	1250 X 900	220	90 - 110	25
<b>BBR 1400 x 1050</b>	80 - 250	180 - 320	1390 x 1050	190	132 -160	42



## Böhringer Jaw Crusher General Specifications

### JAW CRUSHER PRODUCTION GRADATIONS



**Attention:** Each of the specified capacities is the possible maximum capacity in continuous, normal unit & plant operations with satisfactory plant & unit configurations and under ideal working conditions, which include but are not limited to a full conformance to good quality of feed material as required, among other operational conditions which need to be established & maintained at all times. In reality, actual capacities will vary due to multiple site, plant & environmental factors. We do not guarantee in any way any capacity or production result without a separate, specifically written consent, particular to any case or installation being clearly identified & specified. Böhringer Inc. reserve all rights.

Capacity based on continuous regulated feed of clean, dry limestone of normal hardness with a bulk density of 1.6 ton/m<sup>3</sup>. Capacity may vary +/- 25% with the size and nature of the rock and the working conditions of the plant. All parameters are for reference only & subject to change without notice.

Footnote: These product curves are to be used as a guide only. Crusher product is dependant on feed material properties. Please consult Böhringer Inc for advice on product gradations for specific feed materials



# BÖHRINGER®

121 Main Street STE 140 Northport New York 11768 USA

Tel (6310 262 7211 - Email bohringer1@aol.com - www.bohringerinc.com